

# OPTIMA APOS-04 UTILITY STAND OPT-04S



## Ergonomic Viewing for your APOS-04

The Optima Utility Stand is a touch screen monitor stand designed to be used with the OPTIMA APOS-04 POS System. Comprised of mainly steel and aluminum alloy, the OPTIMA Utility Stand is sturdy and allows the APOS-04 System to be tilted  $-2^{\circ} \sim +180^{\circ}$  allowing for the most comfortable viewing angle!



FRONT



REAR



SIDE

## Key Features

- ✓ **Adjustable Angle:** Tilt between -2 to 180° for comfortable viewing angle and operation.
- ✓ **Eliminate Screen Glare:** Adjust your APOS-04 up or down to eliminate glare for a clearer view of the touch screen monitor.
- ✓ **Security:** Mount and secure the OPT-04S utility stand to the counter to prevent theft of your APOS-04 terminal.
- ✓ **Space saver Workspace:** This extra space can declutter your counter, allowing you to work in a cleaner, more organized environment!
- ✓ **Customer Display View:** Tilt the APOS-04 to the preferred angle for your customers to easily view the attached customer display.
- ✓ **Quick & Easy to Install:** Simply attach the OPT-04S utility stand to the bottom of the APOS-04 using the 4 included screws.

## General

**Supported POS System:** APOS-04

**Maximum Weight:** 33.1lbs (15kg)

**Tilt:** Flexibility to tilt up and down: - 2° ~ 180°

**Vesa Compatible:** 75mm or 100mm

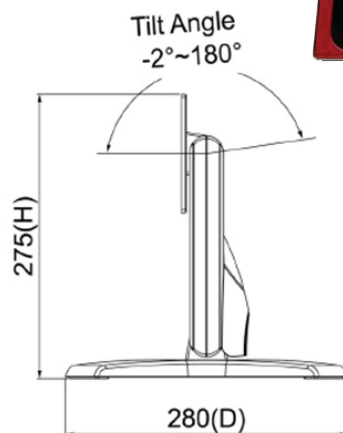
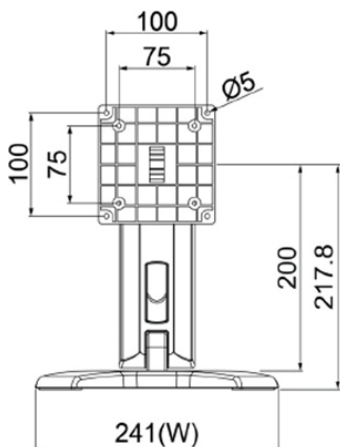
**Included:** Four M4 screws

**TAA Compliant:** Yes

**Shipping weight:** 7Lbs

**Color:** Black

**Material:** Aluminum alloy



## OPTIMA GROUP

1415 Pembina Highway, Winnipeg, MB, Canada, R3T 2C2 Tel: (204) 488-2274 Fax: (204) 488-3923

Email: sales@optimagopos.ca Website: www.optimagopos.ca